

## HT3 Torque Multiplier

- 5:1 torque multiplication, accuracy guaranteed better than  $\pm 4\%$ .
- Supplied with two reaction bar styles for maximum versatility.
- Robust construction means minimal maintenance and long life.
- Supplied in a carrying case, the Highwayman is ideal for inclusion in the heavy vehicle tool kit.
- 1300 N.m version has a spare 3/4" output square included in the kit.
- Multiplier head only (no reaction bars or plastic box) also available. 1300 N.m version, part no. 17218. 2700 N.m version, part no. 17219.



HT3 1300 N.m

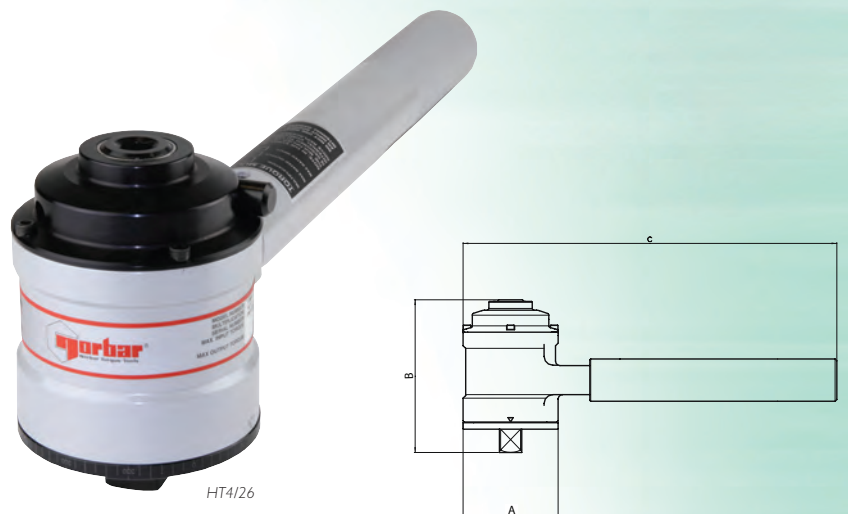
## HT3 Torque Multiplier

Model	Part No.	Range		Ratio	Input Square	Output Square	A	B	C	D	Tool Weight	Reaction Weight
		N.m	lbf.ft		in	in	mm	mm	mm	mm		
HT3 1300 N.m Version Kit	17220	1300	960	5:1	½	¾	108	126	210	180	3.8	1.3
HT3 2700 N.m Version Kit	17221	2700	2000	5:1	¾	1	108	128	210	186	3.8	1.3

Weight of entire kit, 7.1kg.

## HT4 Torque Multiplier

- True 15.5:1 or 26:1 torque multiplication, accuracy guaranteed better than  $\pm 4\%$ .
- High ratios allow the use of a small torque wrench.
- Robust construction means minimal maintenance and long life.
- Supplied in carrying case with replacement square drive.
- Anti Wind-Up Ratchet (Anti Backlash) fitted to allow safer and more practical operation.
- Angle protractor for easy torque and angle tightening.



HT4/26

## HT4 Torque Multiplier

Model	Part No.	Range		Ratio	Input Square	Output Square	A	B	C	Tool Weight	Reaction Weight
		N.m	lbf.ft		in	in	mm	mm	mm		
HT4/15.5	17022	3000	2200	15.5:1	½	1	108	156	450	6.1	1.9
HT4/26	17021	4500	3300	26:1	½	1	108	173	450	7.0	1.9